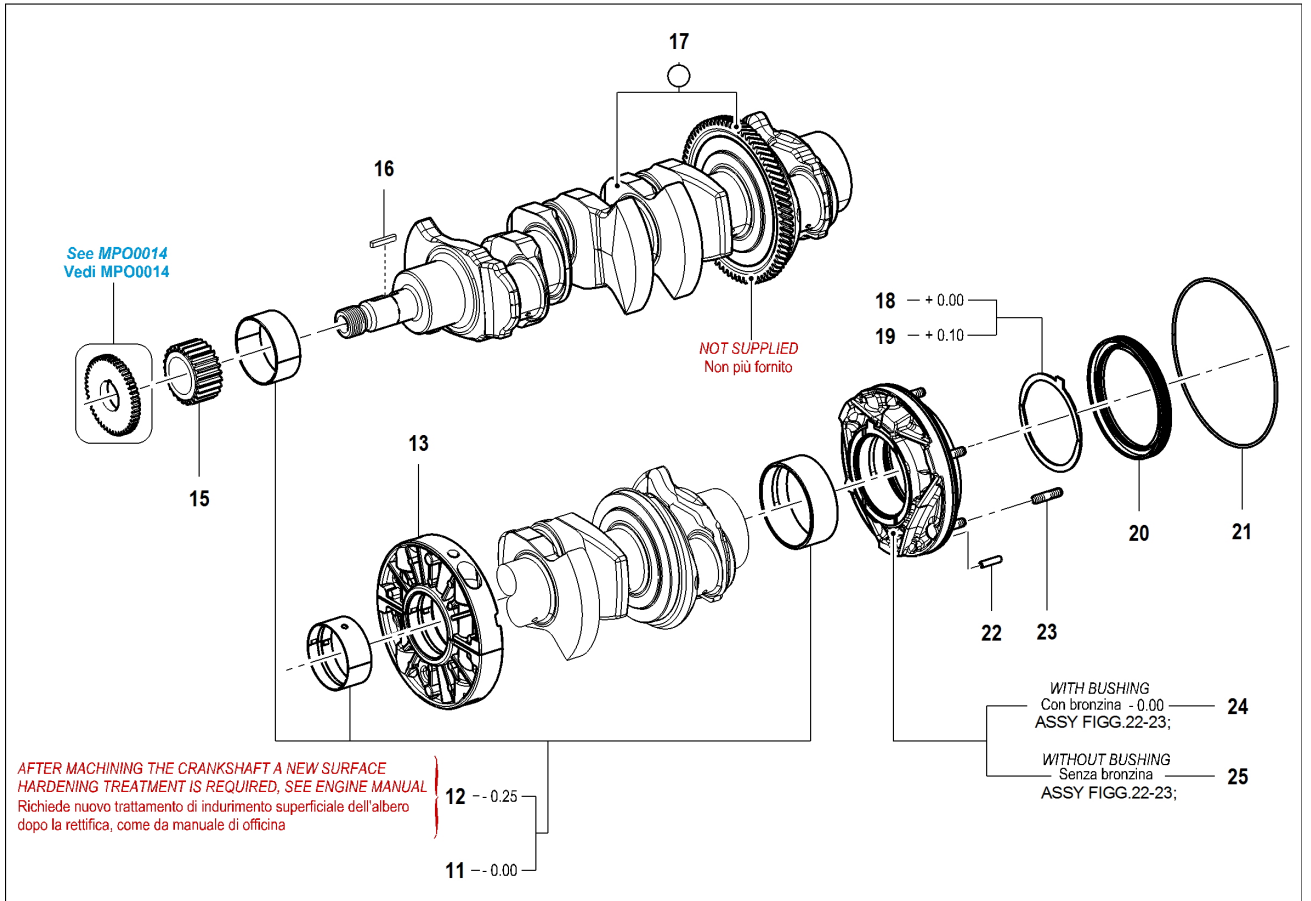
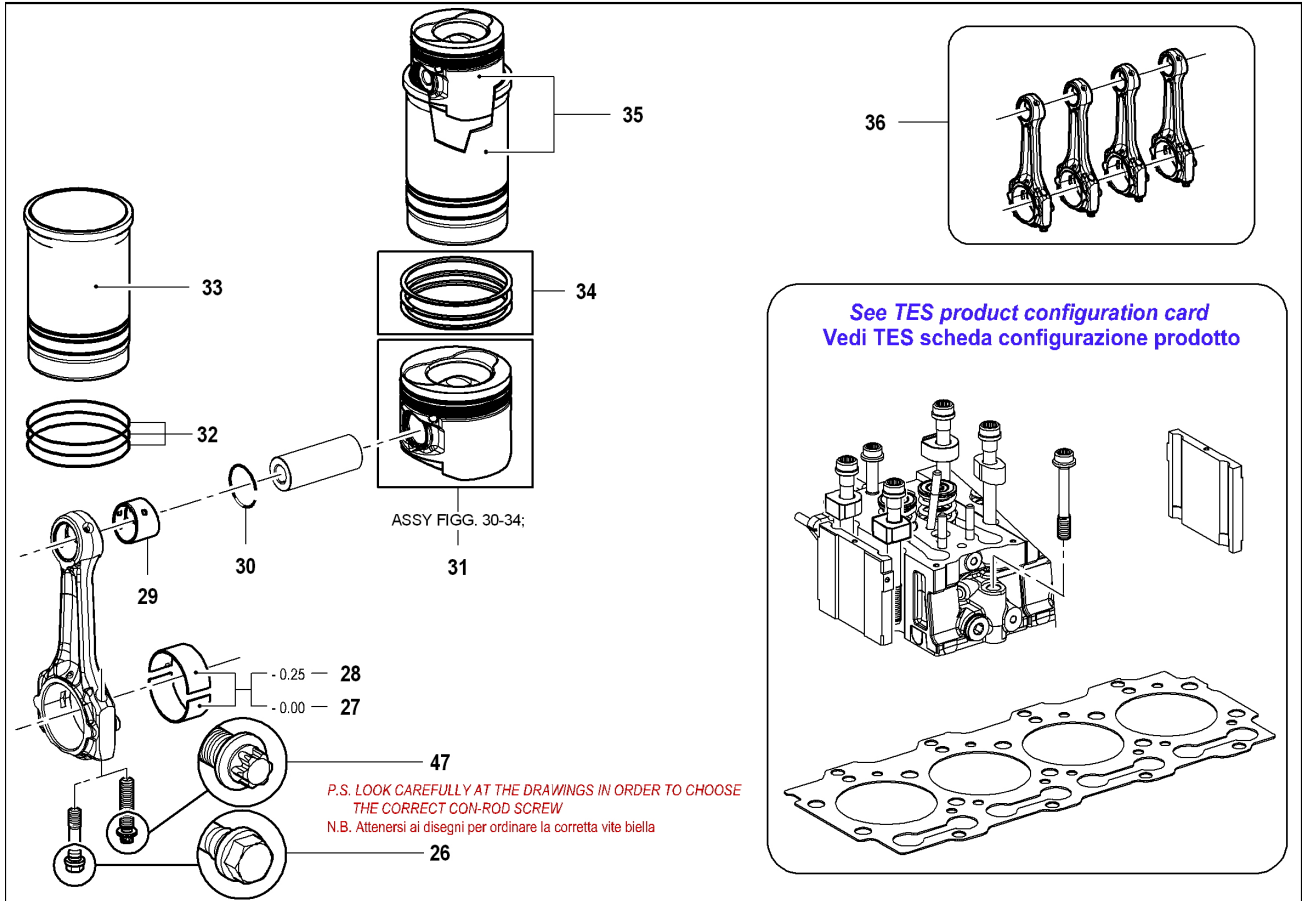


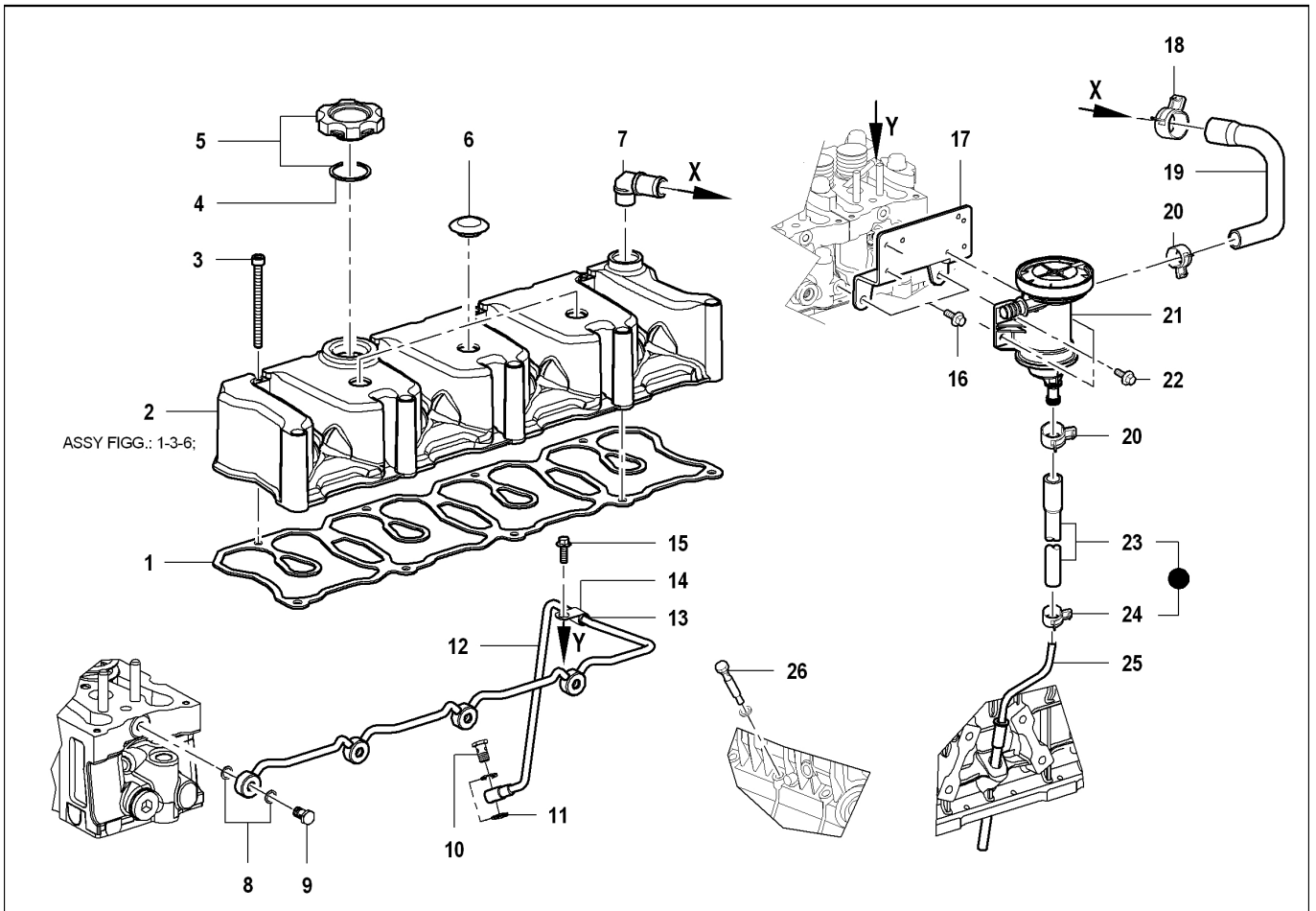
Description: CRANKCASE	Last variation: 16/12/2014 14:34:13
------------------------	-------------------------------------

Elenco Articoli

Pos	Description	Part Number	Qty	Pos	Description	Part Number	Qty
001	CILINDER PLUG KIT	13002479F	1	032	O RING SET	12032303F	4
002	OIL JET VALVE KIT	11382018F	1	033	CYLINDER LINER	20242038G	4
003	O.RING	46320248F	4	034	PISTON RING SET	10272013F	4
004	ADAPTOR	21782112F	1	035	CYLINDER WITH PISTON ASSY	10242042F	4
005	PIPE UNION	21320038A	1	036	CONN.ROD KIT FOR 4 CYL.	10292060F	1
006	BANJO ADAPTOR BOLT	21320039A	1	047	CONNECTING ROD SCREW	21762142F	8
007	GASKET	42020014A	4				
008	CAMSHAFT BUSHING KIT	10302037F	1				
009	CAMSHAFT BUSHING KIT	10302038F	1				
010	OIL PRESSURE VALVE ASSY.	11382010F	1				
011	CRANKSHAFT BUSHING KIT	10302039F	1				
012	CRANKSHAFT BUSHING KIT	10302040F	1				
013	SHAFT BRACKET	10522032G	3				
015	DRIVE CRANKSH.TIMING GEAR	20662153F	1				
016	KEY CRANKSHAFT A5X5X32 UNI6604	41830042F	1				
017	CRANKSHAFT ASSY	20172139F	1				
018	CRANCKSHAFT THRUST WASHER	21652015F	1				
019	THRUST WASHER-CRANKSHAFT+0,10	21652016F	1				
020	OIL SEAL REAR 100X120X12	46340869F	1				
021	O-RING	46320270F	1				
022	ELASTIC PIN 6X24 DIN7343	46290208F	1				
023	STUD	41752007F	6				
024	SHAFT BRACKET ASSY	10522033G	1				
025	SHAFT BRACKET	10522034G	1				
026	SCREW	21760118H	8				
027	CON-ROD BUSHING ASSY	10302053F	4				
028	CON-ROD BEARING ASSY -0,25	10302054F	4				
029	BUSHING	21712063F	4				
030	RING	41560130A	8				
031	PISTON ASSY	10252093F	4				



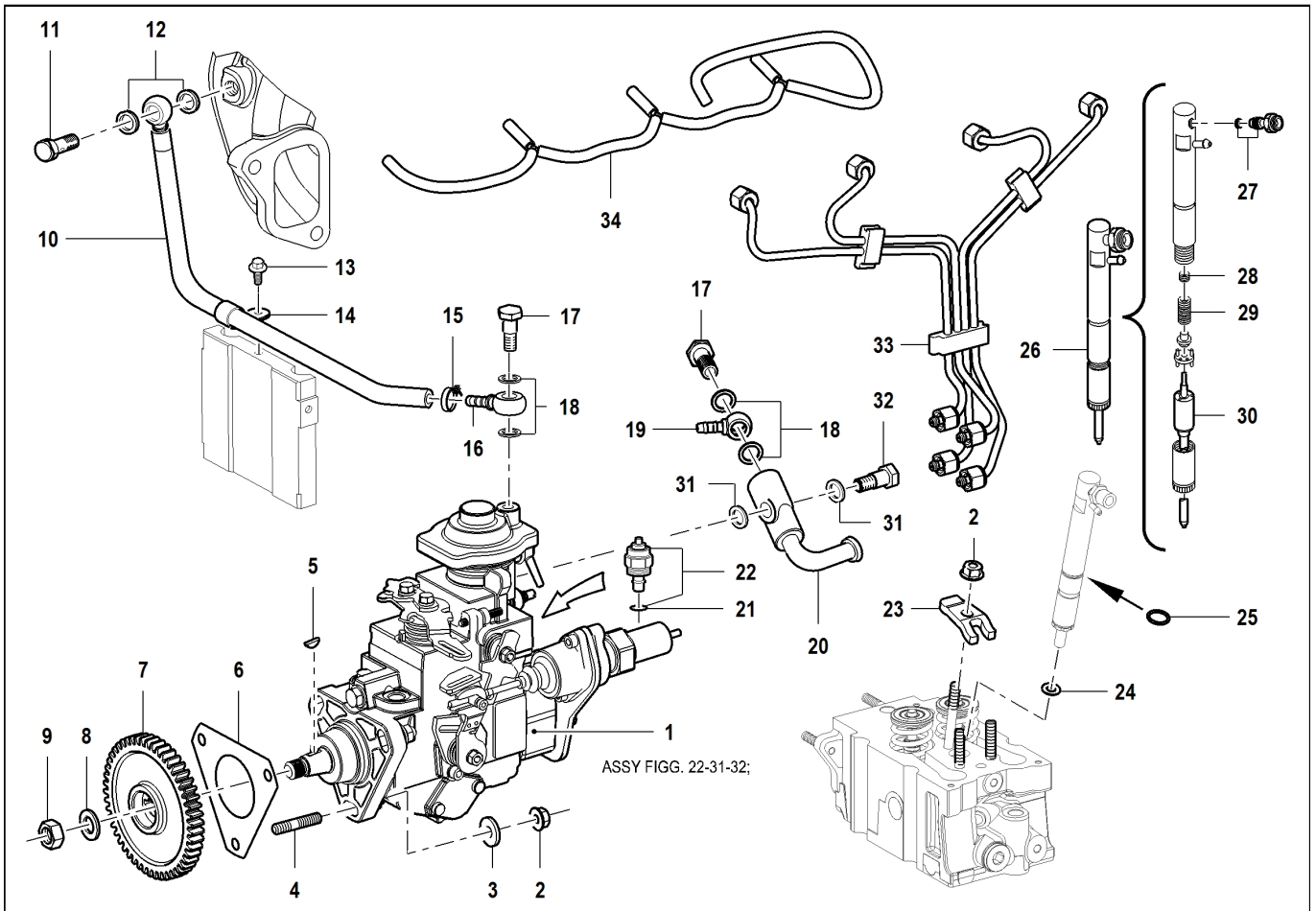




Description: ROCKER ARM COVER Last variation: 13/07/2009 15:15:14

Elenco Articoli

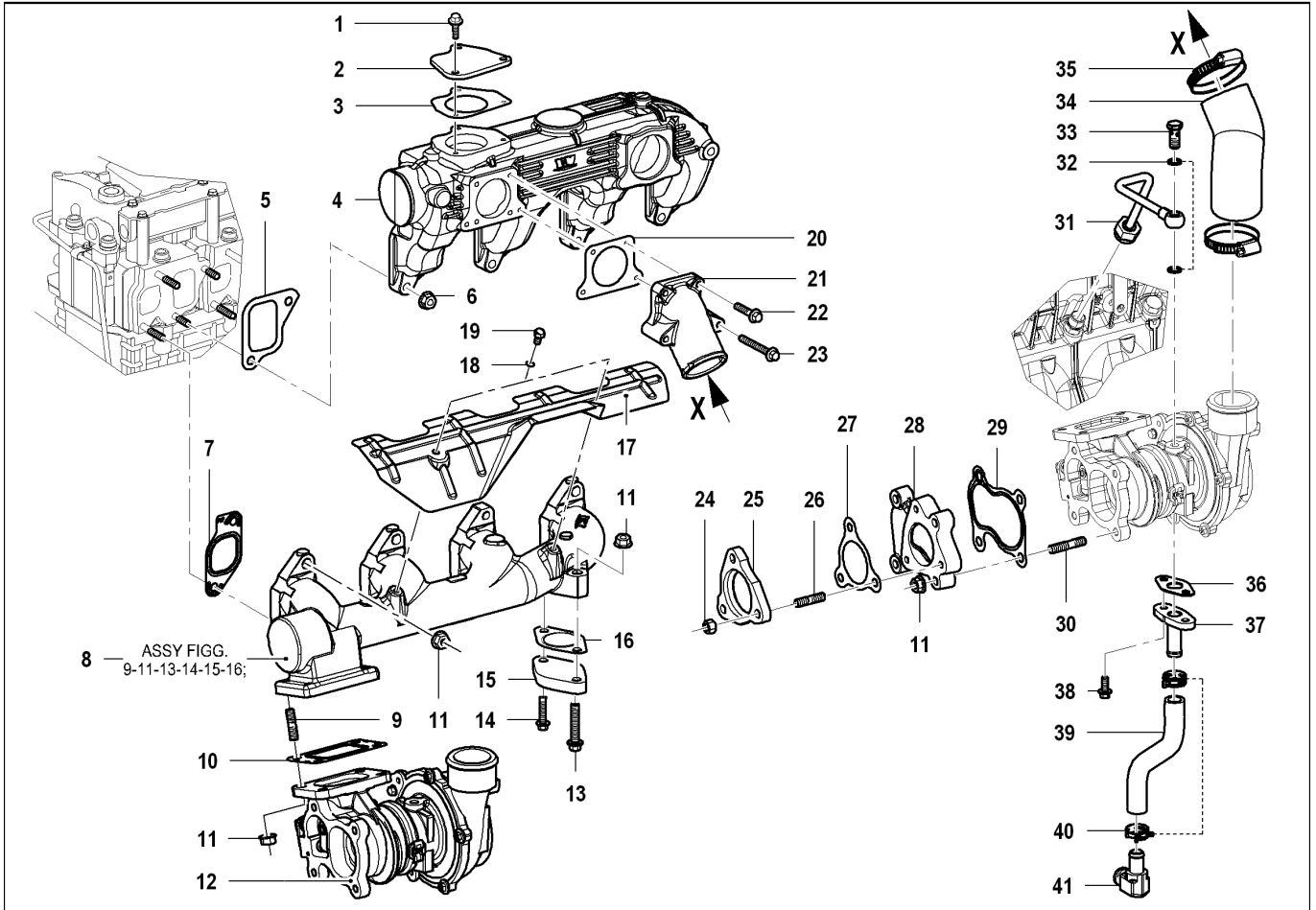
Pos	Description	Part Number	Qty	Pos	Description	Part Number	Qty
001	ROCKER COVER GASKET	22032300F	1				
002	ROCKER ARM COVER KIT	10132117F	1				
003	SCREW	41762034F	9				
004	GASKET	22032176F	1				
005	CAP	11772005F	1				
006	CAP	41772080F	3				
007	BY PASS ADAPTOR-THERMOSTAT HOU	21332012G	1				
008	GASKET	42020008A	8				
009	BANJO BOLT	21320025A	4				
010	UNION	41320010A	1				
011	GASKET	42020010A	2				
012	PIPE	21282924F	1				
013	SLEEVE, RUBBER - HOSE CLIP	22030455A	1				
014	FIXING CLAMP FOR ROCKERS LUBRICATION PIPE	21612062F	1				
015	SCREW	41901102F	1				
016	SCREW	41901305F	2				
017	SUPPORT OIL SEPARATOR BRACKET	20512917F	1				
018	SPRINGBAND CLAMP	41612104F	1				
019	PIPE(CCV)LONN ROCK COVER TO SE	21302465F	1				
020	SPRINGBAND CLAMP	41612103F	2				
021	OIL SEPARATOR	40892003F	1				
022	SCREW	41901205F	3				
023	EXHAUST PIPE	21302952F	1				
024	CLAMP	41612150F	1				
025	PIPE	21282768F	1				
026	BANJO ADAPTOR BOLT	21320036A	1				



Description: 12V INJECTION PUMP	Last variation: 22/08/2013 12:22:31
---------------------------------	-------------------------------------

Elenco Articoli

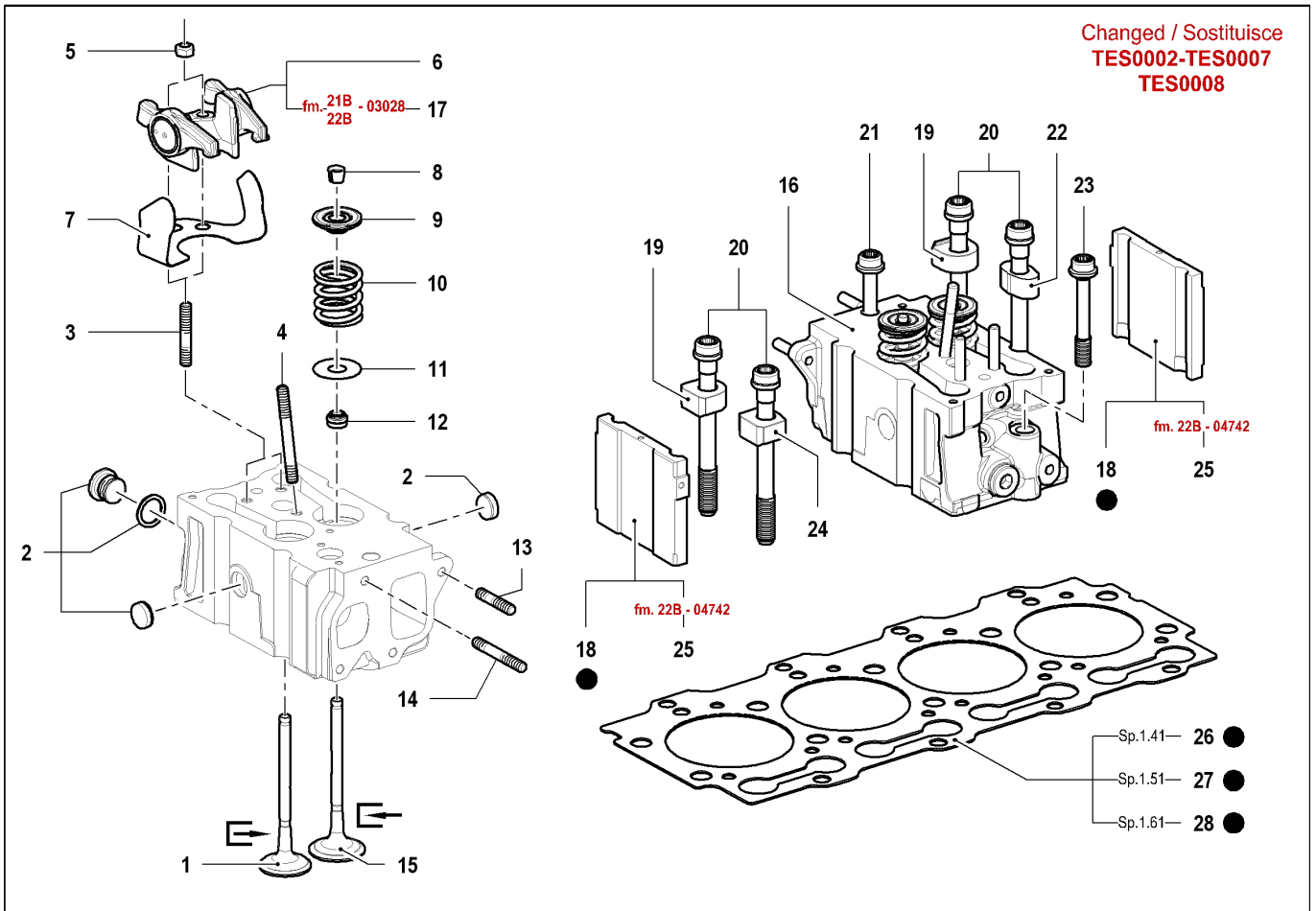
Pos	Description	Part Number	Qty	Pos	Description	Part Number	Qty
001	INJECTION PUMP	15022306F	1	031	GASKET	42020012A	2
002	NUT	41880308F	2	032	UNION SCREW	45022029F	1
003	WASCHER	21810119A	3	033	INJECTION PIPES ASSY	11292089F	1
004	STUD	41752010F	3	034	fuel waste from injectors	11302036G	1
005	KEY	41830440A	1				
006	INJECTION PUMP GASKET	22032299F	1				
007	GEAR	20662122F	1				
008	WASHER FIXING INJECTION PUMP	21812044F	1				
009	NUT	21792028F	1				
010	PIPE	21302397F	1				
011	UNION	41320010A	1				
012	GASKET	42020010A	2				
013	SCREW	41901102F	1				
014	P CLIP	41610052A	1				
015	CLAMP	41612028A	1				
016	SHEAT	41332001A	1				
017	BANJO BOLT	21320025A	2				
018	GASKET	42020008A	4				
019	SHEAT	41332005F	1				
020	ADAPTOR	21782216F	1				
021	O.RING-STOP VALVE	45020048A	1				
022	ELECTROSTOPVALVE HR	45020002A	1				
023	CONNECTOR	21362012F	4				
024	INJECTOR GASKET	22022197F	4				
025	RING	46320242A	4				
026	INJECTOR STANADYNE	15062051F	4				
027	UNION	45062021F	4				
028	SHIM	45062020F	4				
029	SPRING	45062014A	4				
030	NOZZLE	45062034F	4				



Description: TURBOCHARGER Last variation: 17/03/2010 08:28:32

Elenco Articoli

Pos	Description	Part Number	Qty	Pos	Description	Part Number	Qty
001	SCREW	41901206F	3	031	PIPE DELIVERY OIL	21282866F	1
002	COVER	20132415F	1	032	GASKET	42020010A	2
003	GASKET	22032243F	1	033	MAIN BEARING OIL FEED TURBO	21322022F	1
004	INTAKE MANIFOLD	21042088F	1	034	SHEAT	21302912F	1
005	INTAKE MANIFOLD GASKET	22022198F	1	035	CLAMP	41612143F	2
006	NUT	41880308F	8	036	GASKET	22032141G	1
007	GASKET EXHAUST MANIFOLD	22032114F	4	037	TURBO OIL DRAIN PIPE	21282609F	1
008	EXHAUST MANIFOLD ASS.LY	11052056F	1	038	SCREW	41901205F	2
009	STUD M8X20	41750906F	4	039	TURBO OIL DRAIN PIPE	21302827F	1
010	GASKET TURBO HR	22022027A	1	040	SPRINGBAND CLAMP REF.21/12	41612111F	2
011	FLANGED NUT M8	41880208F	17	041	TURBO OIL RETURN PIPE ADAPTER	21782167F	1
012	TURBOCHARGER	35242143F	1				
013	SCREW	41901312F	1				
014	SCREW	41901307F	1				
015	COVER	20132425F	1				
016	GASKET FOR EGR VALVE COOLER	22022123F	1				
017	GUARD	22082161F	1				
018	WASHER	46230038A	2				
019	SCREW	41762007A	2				
020	GASKET ELBOW-INTAKE MANIF.	22032296F	1				
021	SHEAT	21092246F	1				
022	SCREW	41901208F	2				
023	SCREW	41901212F	2				
024	NUT	21792027F	3				
025	EXHAUST TURBO FLANGE	21082028F	1				
026	STUD	41752008F	3				
027	GASKET - TURBO OUTLET	22022104F	1				
028	EXHAUST TURBO FLANGE	20732101F	1				
029	GASKET	22022181F	1				
030	STUD	41750910F	4				



Description: CYLINDER HEAD	Last variation: 16/11/2011 15:55:08
----------------------------	--

Elenco Articoli

Pos	Description	Part Number	Qty	Pos	Description	Part Number	Qty
001	EXHAUST VALVE	20372006G	4				
002	HEAD PLUGS KIT	13002471F	4				
003	STUD	41753006F	8				
004	STUD	41752020F	4				
005	ROCKER ARM FIXING NUT	21792037F	8				
006	ROCKER ARM ASSY	10412025F	4				
007	ARM THRUST SPRING	20462106F	4				
008	SPLIT CONE	20400007A	16				
009	COLLAR-VALVE SPRING	20390016A	8				
010	SPRING	20460099F	8				
011	CUJP	20390018A	8				
012	RING	46340866F	8				
013	STUD	41752010F	8				
014	STUD	41750904F	8				
015	INTAKE VALVE	20362008G	4				
016	HEAD ASSY	10352102F	4				
017	ROCKER ARM-ASSY	10412017F	4				
018	HOLLOW STUD	22332007G	2				
019	CLAMP CYL.HEAD	21360061A	5				
020	BOLT HEAD	21762150F	10				
021	BOLT HEAD FIXING EXHAUST	21762149F	4				
022	CLAMP CYL HEAD	21360063A	3				
023	BOLT HEAD FIXING	21762148F	4				
024	CLAMP CYL.HEAD	21360062A	2				
025	HOLLOW STUD	22332008F	2				
026	CYLINDER HEAD GASKET SP.1.41	22022289F	1				
027	CYLINDER HEAD GASKET SP.1.51	22022290F	1				
028	CYLINDER HEAD GASKET SP.1.61	22022291F	1				

